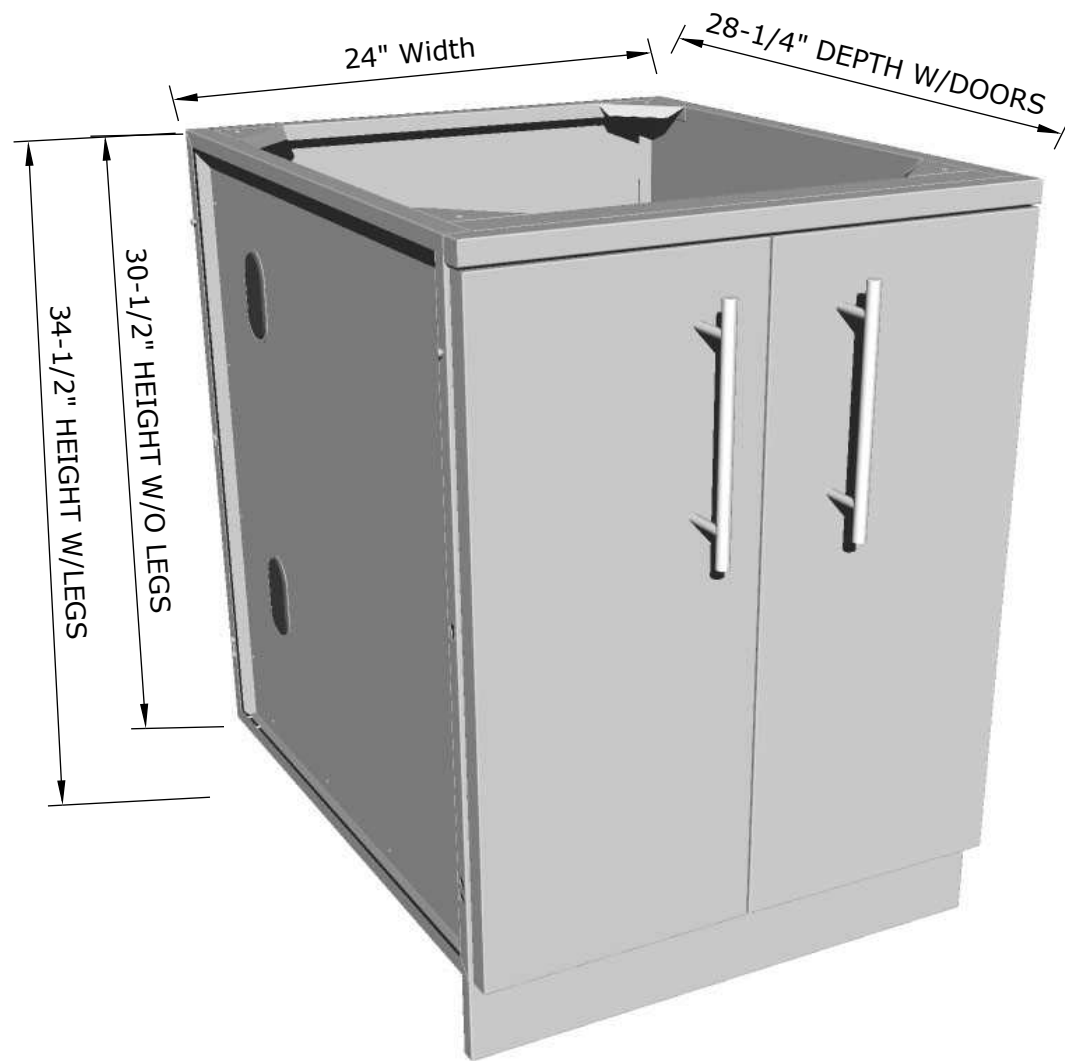
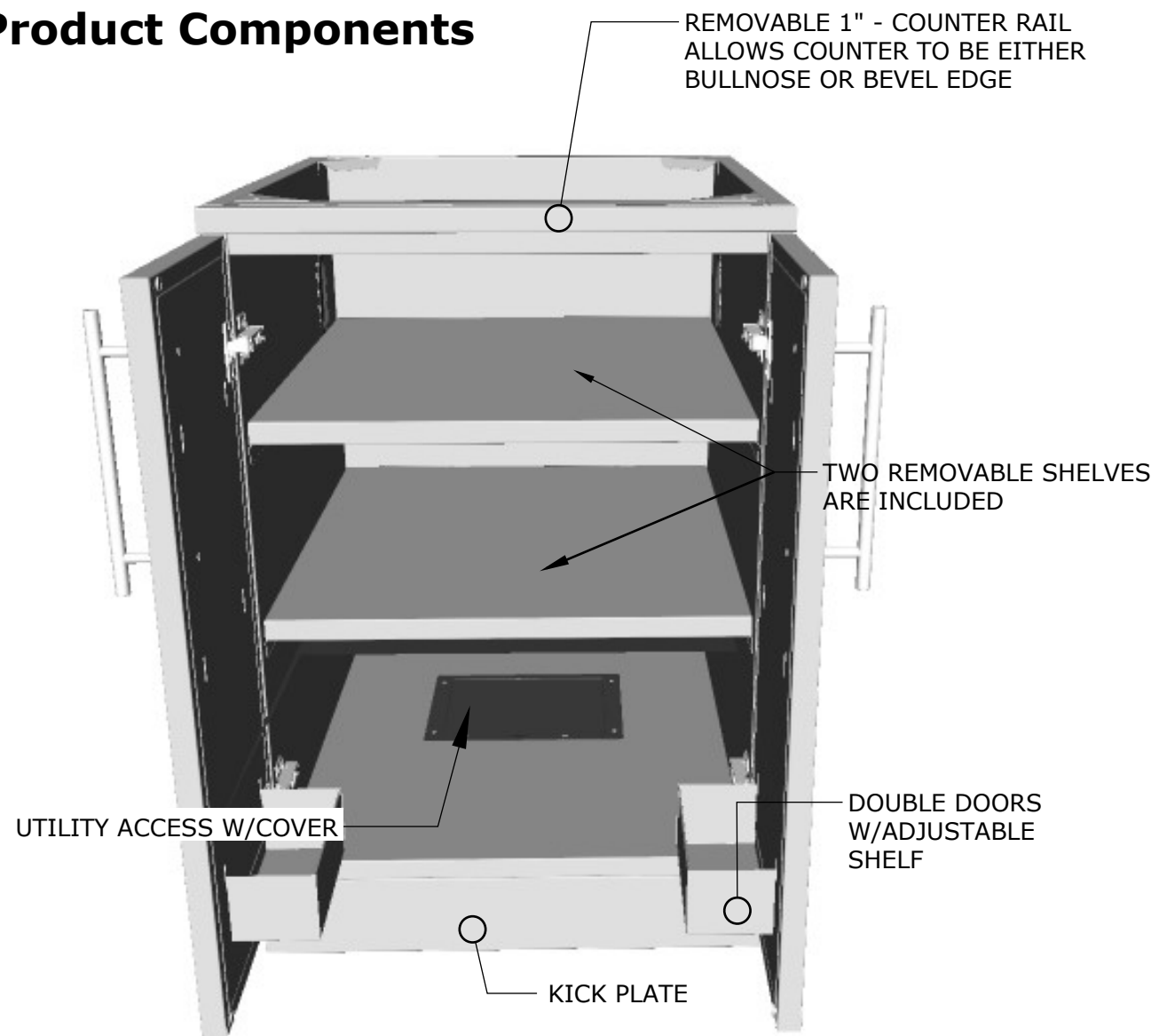


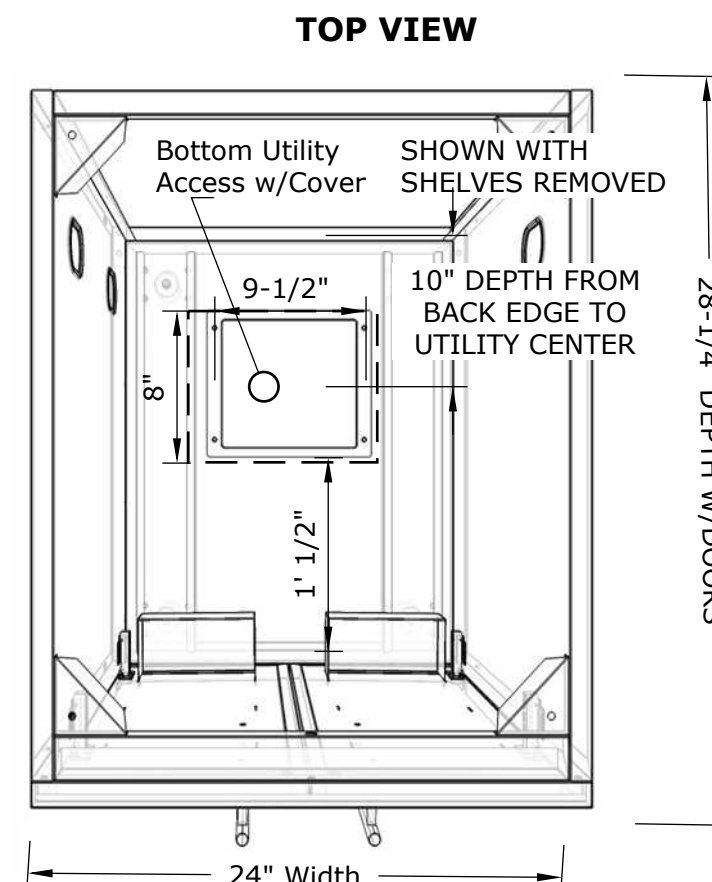
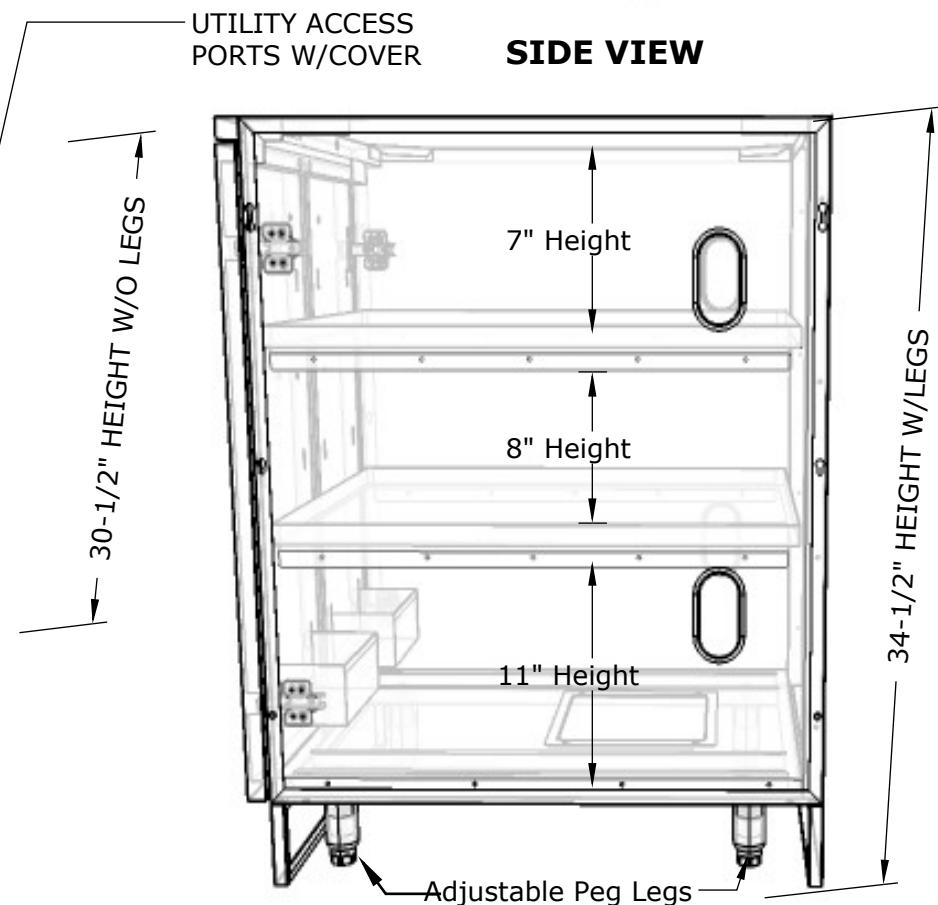
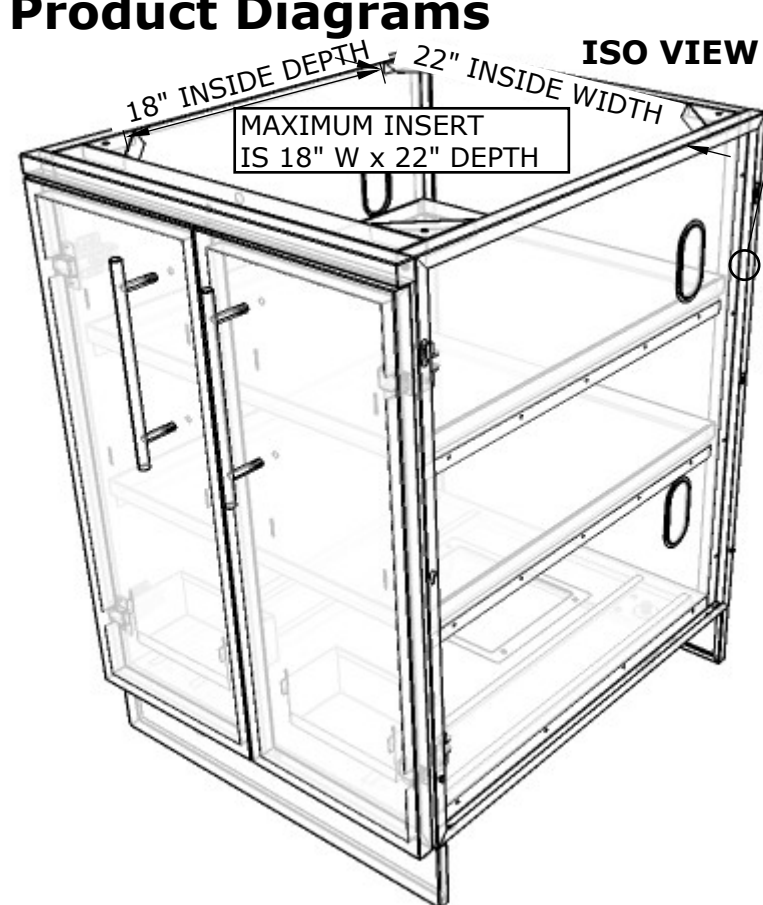
Product Dimensions



Product Components



Product Diagrams



SUNSTONE METAL PRODUCTS

PRODUCT

24" Full Height Double Door Cabinet

Item No. SBC24FDD

DESCRIPTION

24" Full Height Double Door Cabinet, Doors are double walled with adjustable shelf.

- Lifetime Structure Warranty
- 304 Stainless Steel Structure
- 304 SS Rod Handles
- Front & Back Kick-Plates
- Easy Pin-Lock Installation
- Soft-Close Drawer Tracks
- Covered Access Ports
- Adjustable Peg-Legs
- Optional Wheel Casters

INCLUDED COMPONENTS

- Front Kick Plates
- Back Solid Kick Plate
- (4) Adjustable Peg Legs
- (2) Removable Shelves

PRODUCT DIMENSIONS

24"W x 28-1/4"D (w/Doors) x 34-1/2"H (w/Legs) or 30-1/2"H (no Legs) or Upto 36" Max Adjustable Height

INSERT DIMENSIONS

22"Width x 18"Depth

INSERTABLE PRODUCTS

Single Side Burner - 1SSB
 Premium Sink - B-PS21
 Standard Sink - A-SS17
 20" Sink - B-SK20
 14" Ice Bin - B-IC14

MATERIAL SPECS

304 Stainless Steel entire structure, 18 Gauge for Door Panel, 18 Gauge for Cabinet Box, 18 Gauge for Shelf, Handles are made of Solid 304 Stainless Steel Bar.