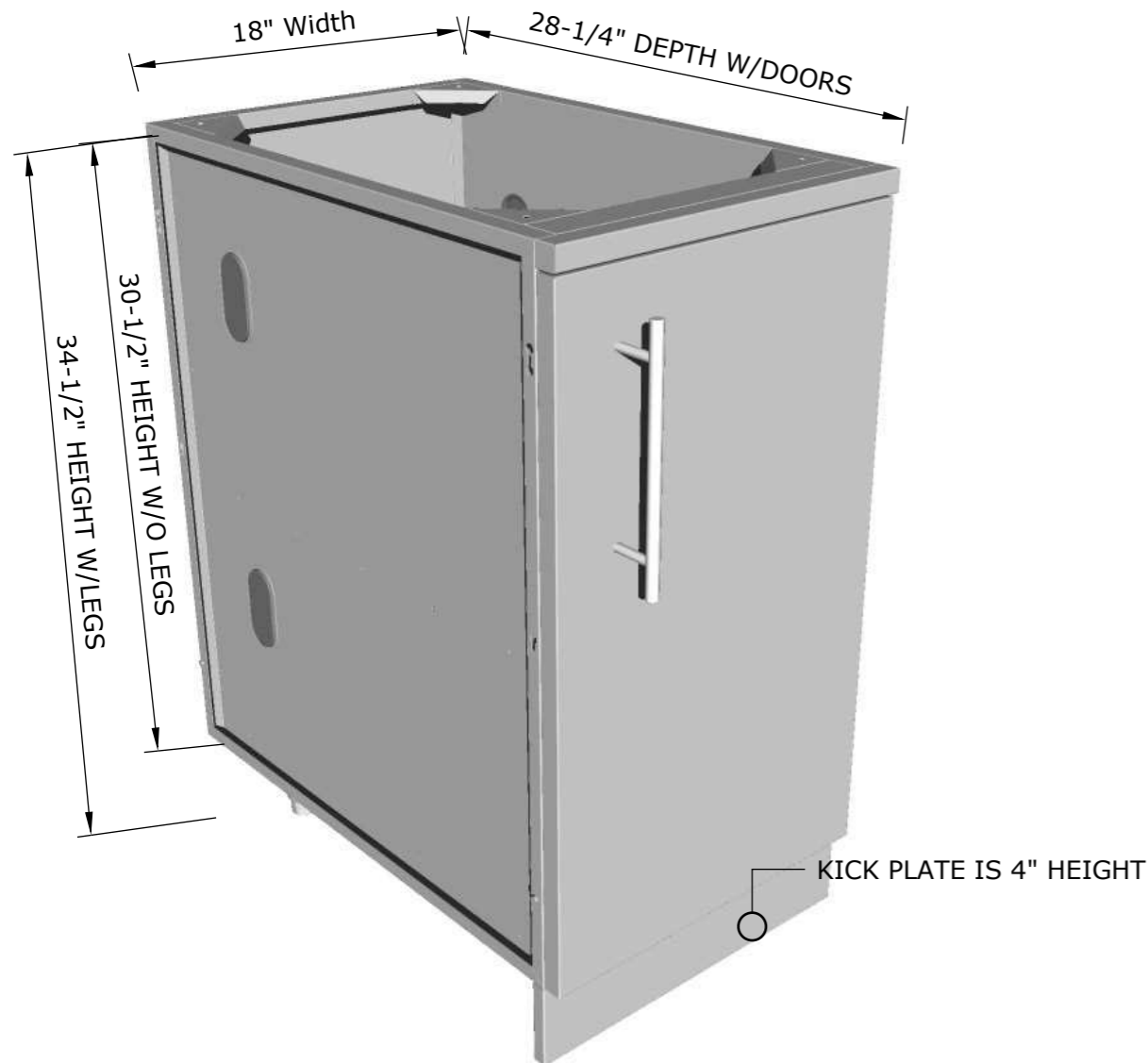
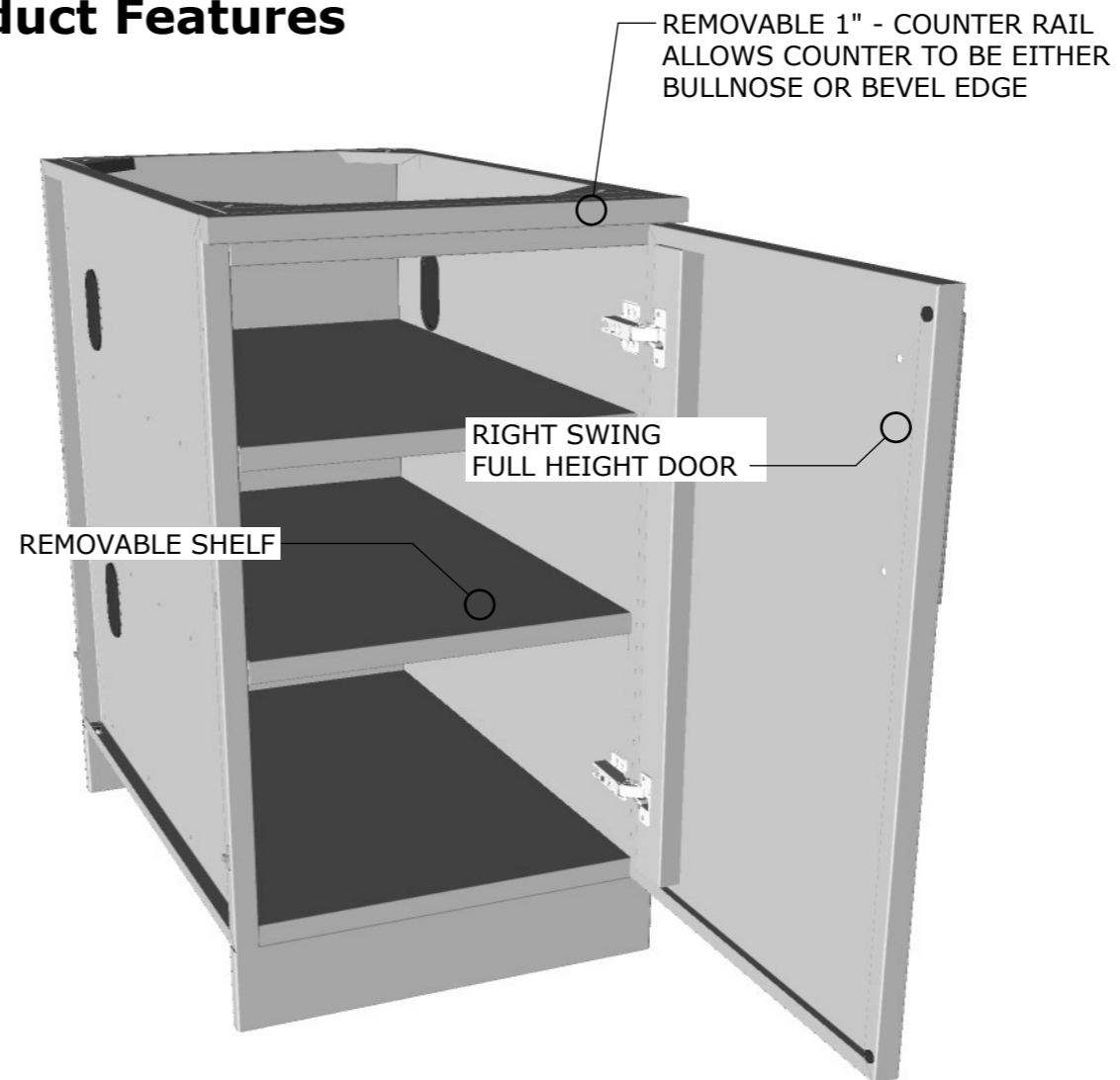


## Product Dimensions



## Product Features



**SUNSTONE METAL PRODUCTS**  
16004 CENTRAL COMMERCE DR.  
PFLUGERVILLE, TEXAS 78660  
Tel: 888.934.9449  
Bus: 512.487.5116  
Fax: 512.487.7016

### PRODUCT

18" Full Height Right  
Swing Door Cabinet

**Item No.** SBC18FSDR

### DESCRIPTION

18" Full Height Right Swing Door  
Cabinet with Two Interior Shelves  
Included.

- Lifetime Structure Warranty
- 304 Stainless Steel Structure
- 304 SS Rod Handles
- Front & Back Kick-Plates
- Easy Pin-Lock Installation
- Soft-Close Drawer Tracks
- Covered Access Ports
- Adjustable Peg-Legs
- Optional Wheel Casters

### INCLUDED COMPONENTS

- Front Kick Plate
- Back Kick Plate
- (4) Adjustable Peg Legs
- (2) Shelf

### PRODUCT DIMENSIONS

18"W x 28-1/4"D (w/Door) x 34-  
1/2"H (w/Legs) or 30-1/2"H (no  
Legs) or Upto 36" Max Adjustable  
Height

### INSERT DIMENSIONS

16"Width x 18"Depth

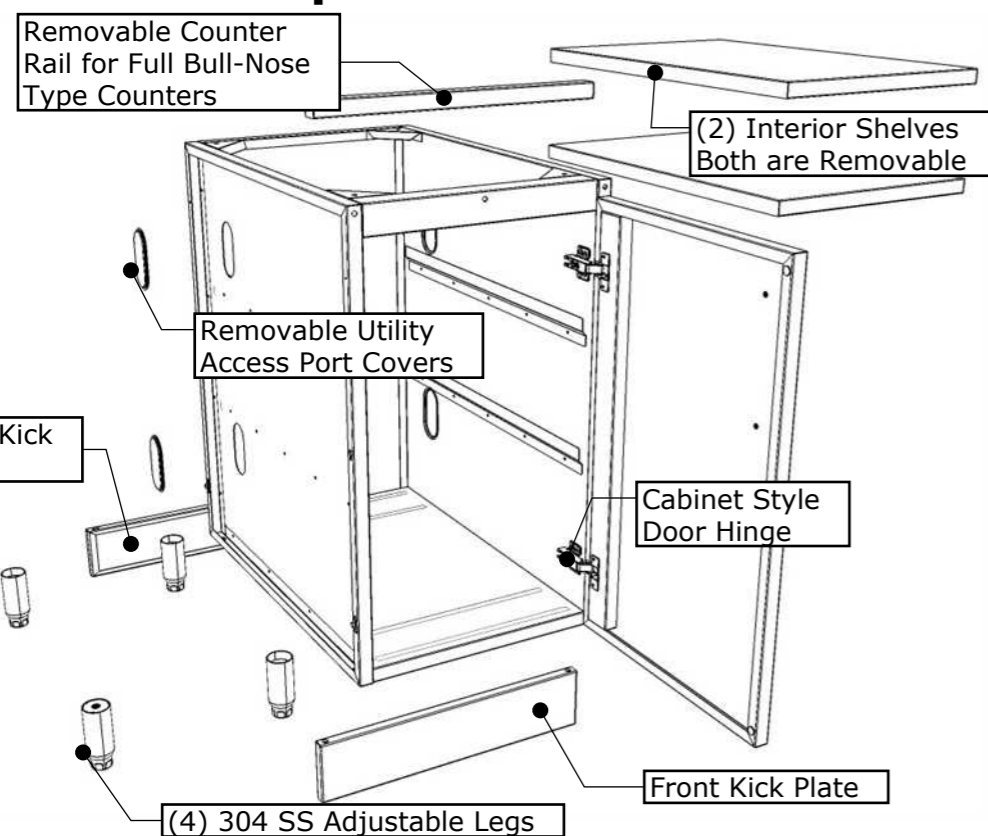
### INSERTABLE PRODUCTS

Single Side Burner - 1SSB

### MATERIAL SPECS

304 Stainless Steel entire  
structure, 18 Gauge for Door  
Panel, 18 Gauge for Cabinet  
Box, 18 Gauge for Shelf,  
Handles are made of Solid 304  
Stainless Steel Bar.

## Product Components



## Interior Dimensions

