



**PRODUCT**

36" Double Door w/Shelves

Item No. DE-DD36

**DESCRIPTION**

Designer Series, Raised Style -  
36" Double Door w/Shelves

**PRODUCT DIMENSIONS**

36" WIDTH x23" HEIGHT x4-3/4"  
DEPTH (PRODUCT SIZE) 34-1/2"  
WIDTH x21" HEIGHT x3-1/2"  
DEPTH (CUT-OUT)

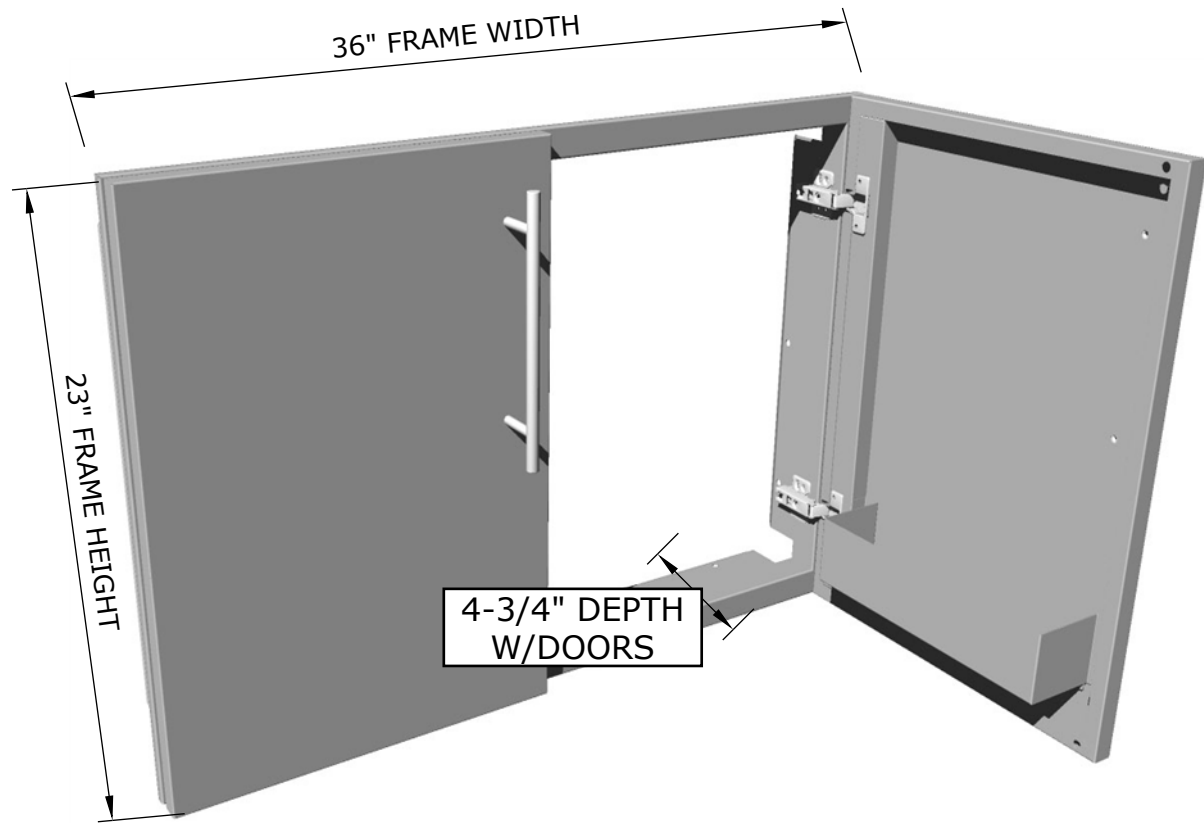
**SPECIFICATIONS**

Door Frame is made from 16 gauge 304 Stainless Steel, and door panel is made from 18 gauge 304 Stainless Steel. Handle is Solid 304 Stainless Steel.

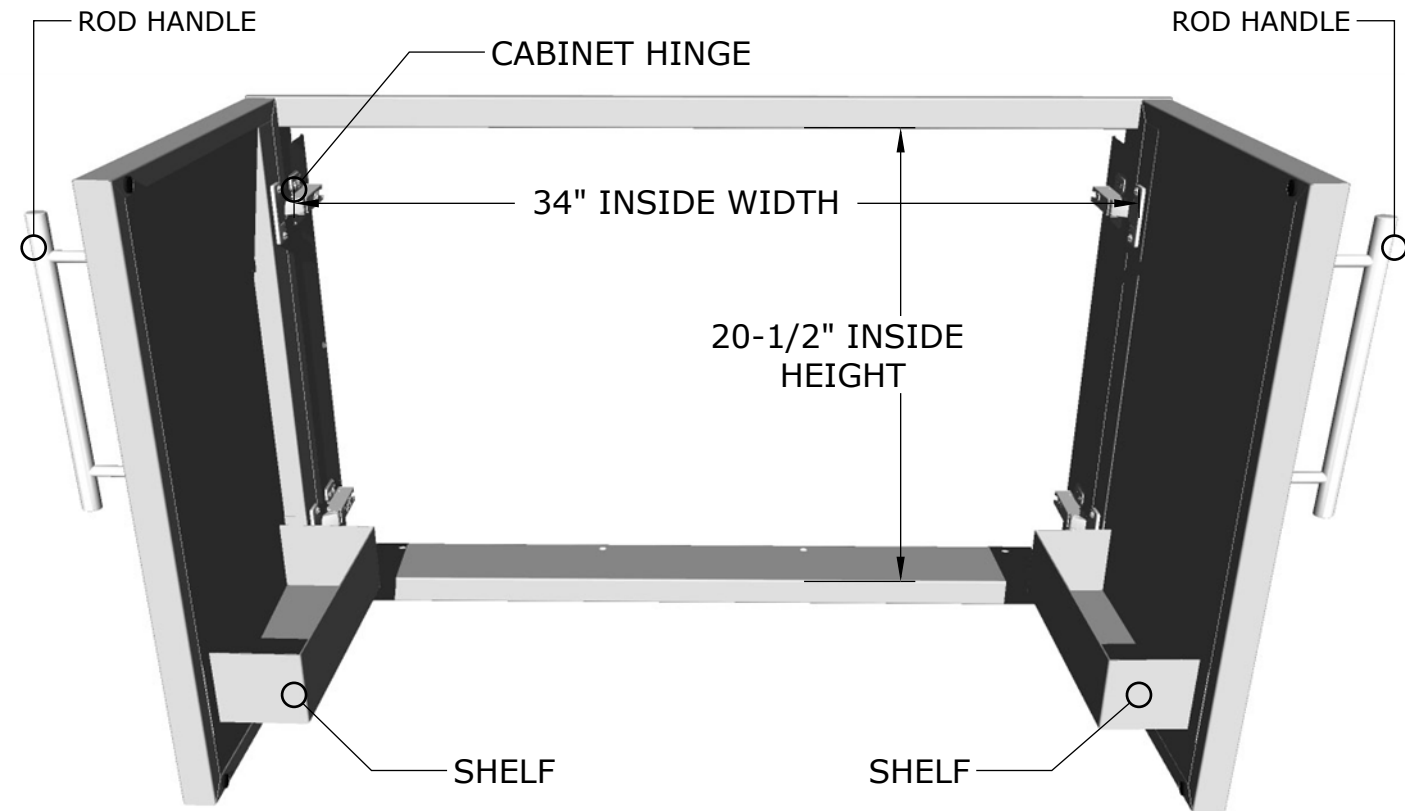
**WARRANTY**

- EXTERIOR FINISH -----3 YEARS
- ROD HANDLES-----3 YEARS
- CABINET HINGE----- 1 YEAR

**Product Dimensions**



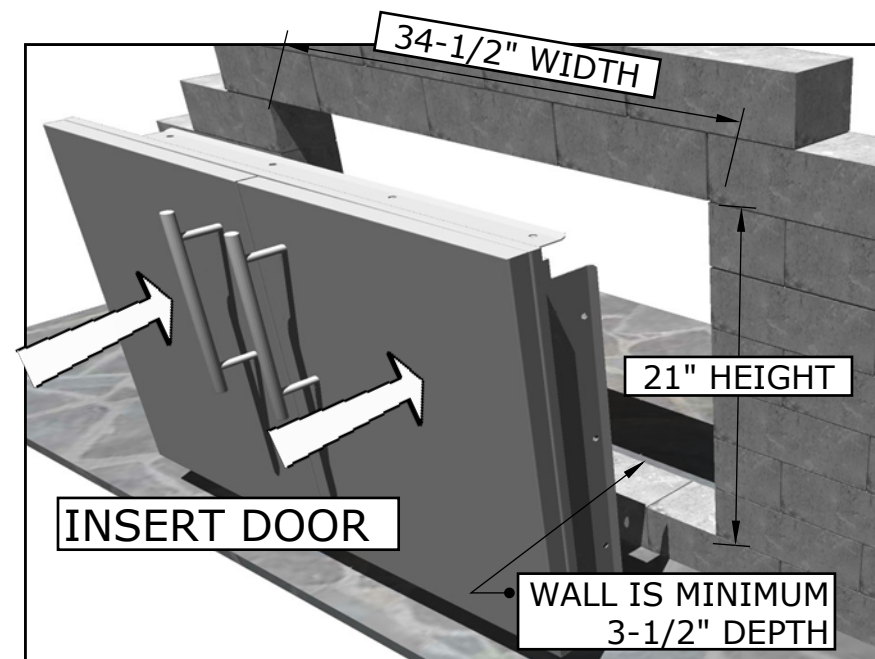
**Product Features**



**Product Installation**

ISLAND WALL CUT-OUT SIZE IS  
34-1/2" WIDTH BY 21" HEIGHT BY 3-1/2" DEPTH

**1 . INSERT COMPONENT**



**2. MOUNT DOOR TO FRAME**



**IMPORTANT!!** - ROD HANDLES ARE MOUNTED TO INSIDE OF EACH PANEL, YOU MUST UNSCREW EACH ONE AND MOUNT ON OUTSIDE OF DRAWER OR DOOR PANEL.

See SUNSTONE manufacture website for additional product support and product tutorials:  
[www.sunstonemetalproducts.com](http://www.sunstonemetalproducts.com)